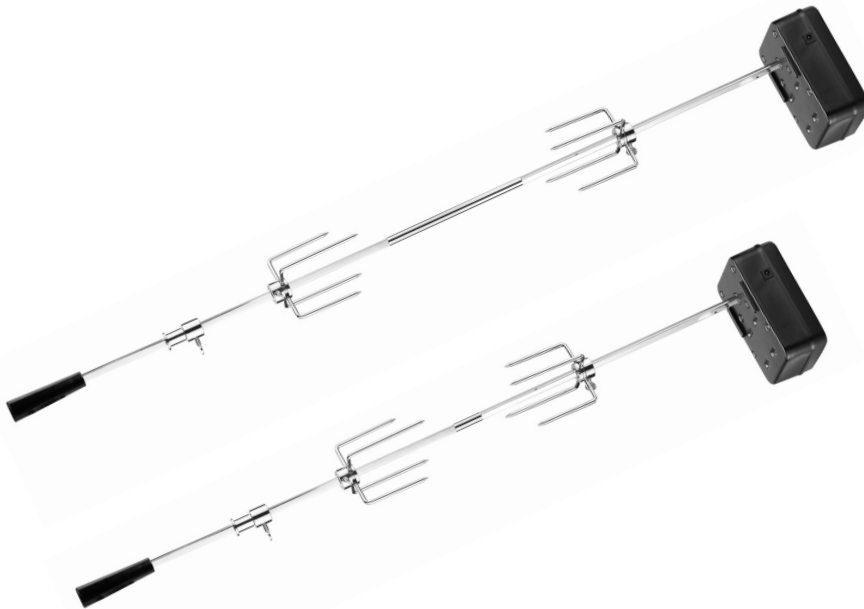




CADAC

LIVE THE BRAAI LIFE

ROTISSERIE
FITS 3 & 4 BURNER BBQs
MODEL No 98755



USER INSTRUCTIONS

NOTE! Images are for illustrative purposes only and may vary from the actual product.

503-0615 LEV7







CAUTION

It is recommended that you do not exceed 5kg when using your rotisserie. Heavier foods can cause the rotisserie spit to flex excessively causing the rotisserie motor to be overloaded due to imbalanced operation. Foods heavier than 5kg can be cooked by using the indirect method instead of using the rotisserie.

Depending on the food being prepared on the rotisserie, large volumes of fatty deposits may drip from the food being cooked. Users must place a fat drip pan below the food otherwise a grease fire may occur.

1. Introduction

- This serves as a generic user guide to advise users on the correct and safe use of a rotisserie when used with a CADAC BBQ.
- This user guide supplies the user with general information and cooking tips to ensure optimum usage of the BBQ when used with a rotisserie.
- The rotisserie motor is housed in a black electrophoresis mild steel case, and requires two "size D" batteries (not included) or a 3.0V (300mA) cable and plug (included) to operate the motor.
- Please follow the assembly instructions specific to the rotisserie you have purchased (supplied with rotisserie).
- There are patio ranges CADAC have designed to accommodate a rotisserie.
- The user must determine whether or not the BBQ that has been purchased is designed to accommodate a rotisserie or not, **before fitting a rotisserie to the unit.**
- The rotisserie fits both 3 burner and 4 burner units. Please refer to section 3 for assembly information.

2. General information

- Read all instructions before use.
- Do not let children operate your BBQ or rotisserie. Do not let children play nearby.
- We do not recommend the use of accessory attachments (baskets, rib racks, wamer trays, etc) during operation of the rotisserie as it may interfere with the rotary movement of the rotisserie.
- Do not use the rotisserie for any use other than that intended.
- When cooking with the rotisserie place a cooking pan under the food to be cooked. This will capture the drippings and keep your BBQ clean of excess fat which could cause a fire. Use caution when moving a cooking pan containing hot oils.
- Should a grease fire occur, turn the burners and gas off and leave the BBQ lid CLOSED until the fire is out.
- **The rotisserie, when used on a CADAC BBQ, is for outdoor use only.**

3. Basic tips for rotisserie cooking

- When rotisserie cooking, use the indirect cooking method. In other words, the burners at each end of the grill are lit and the food is placed centrally on the rotisserie, with no direct heat source underneath. The heat from the burners will circulate inside the BBQ, and grill the meat evenly. To catch any drippings from the rotisserie cooked food it will be necessary place a drip pan directly under the food. These drippings can be used for making gravies and other sauces to accompany the cooked meats. This drip pan also collects greases which could otherwise collect in your BBQ and may cause a grease fire.
- Once your rotisserie, food and drip pan are in position with the indirect heat source on, close the BBQ lid. Cooking times on a rotisserie will be approximately the same as for oven cooking. However, temperature factors can affect actual cooking times. Watch the temperature carefully and monitor your food frequently for best results. It is recommended that you use a CADAC meat thermometer to test for the desired well-doneness of any foods prepared on a rotisserie.

GUIDELINE FOR INTERNAL TEMPERATURES OF MEAT

MEAT	RARE	MEDIUM-RARE	MEDIUM	WELL-DONE
BEEF	60°C	66°C	71°C	77°C
CHICKEN				
Whole Pieces				82°C
Boneless				74°C
TURKEY				
Whole / Stuffed				82°C
Breasts				77°C
PORK			70°C	77°C
Smoked Ham				54-60°C
LAMB	60°C	66°C	68°C	71°C
VEAL	60°C	66°C	71°C	77°C
SAUSAGES			61°C	77°C






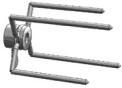



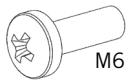
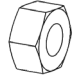

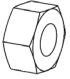


- **Rotisserie cooking can be considerably slower than direct heat cooking, but the results can be well worth the time and effort.**
- Use with caution and wear oven gloves when using your grill, rotisserie or optional cooking accessories.





Items included in the box

- Items listed below are supplied in the box of your rotisserie.

	x1		x1
Right Bracket 	x1		x1
Left Bracket 	x1		x2
	x1		x1
	x1	 M6 x 12  M6	x4
 M5 x 12  M5	x2	 EU units /  UK units	x1

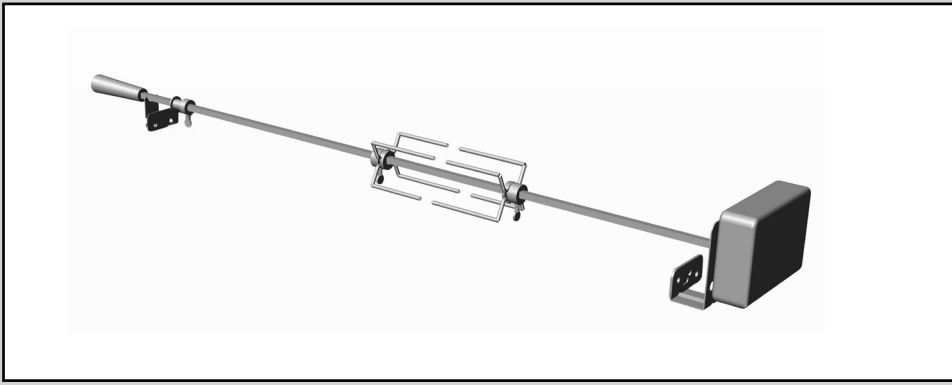
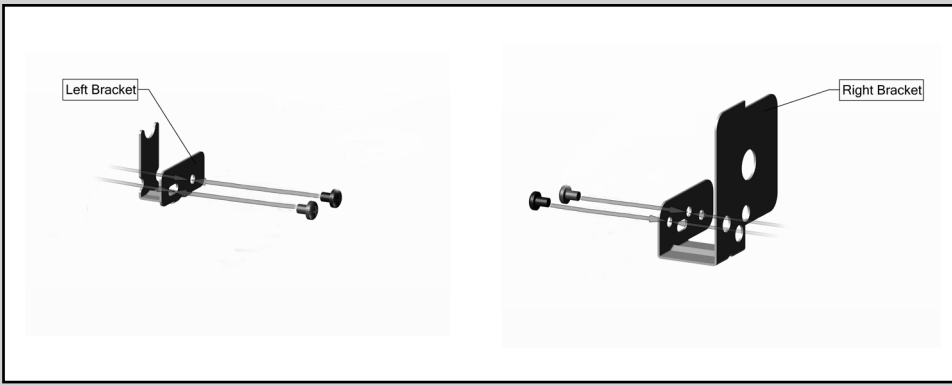
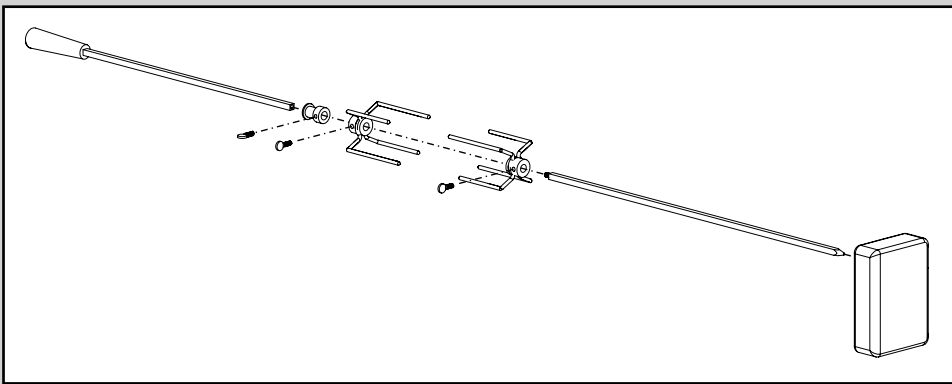
Operating the motor

- Plug in the cable supplied with your rotisserie to operate the motor, alternatively you can use 2x "size D" batteries (not included).



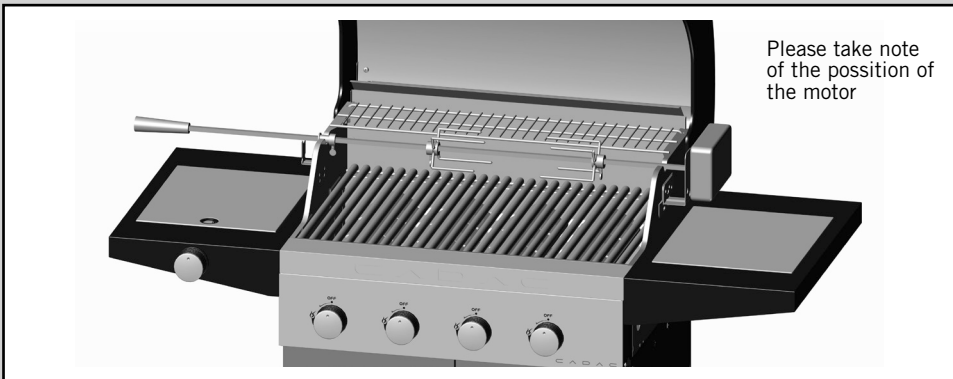
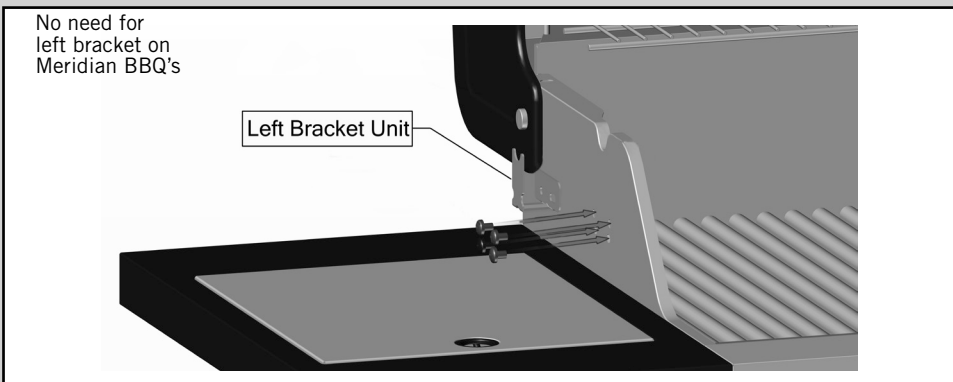
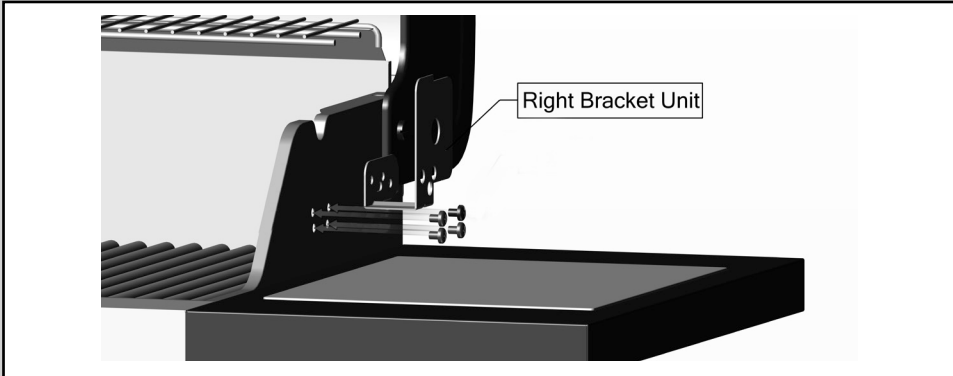


3. Assembly



- Images are for illustrative purposes only.



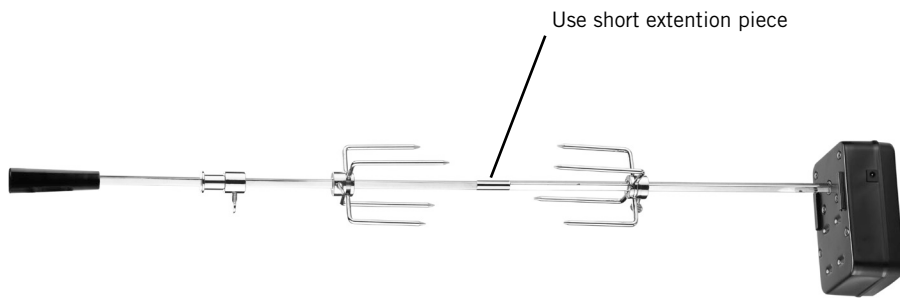


- Images are for illustrative purposes only.

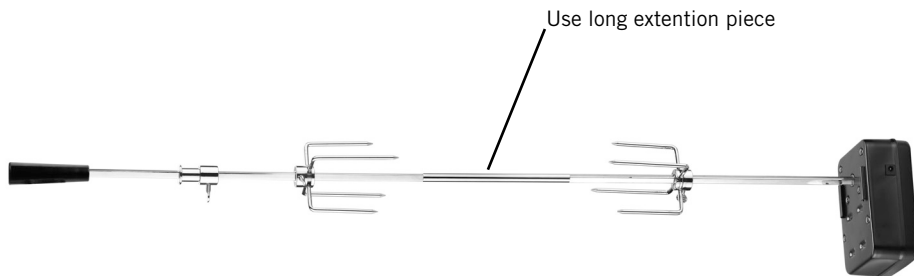




For 3 Burner Units



For 4 Burner Units





CADAC

LIVE THE BRAAI LIFE

CADAC INTERNATIONAL
 P.O. Box 43196,
 Industria, 2042 South Africa
 Tel: +27 11 470 6600
 Fax: +27 11 472 9401
 Email: info@cadac.co.za
 www.cadac.co.za

CADAC FRANCE
 Le Viallon, 42520 Veranne
 France
 Tel: +33 4 74 78 13 65
 Email: info@cadaceurope.nl
 www.cadaceurope.com

CADAC CZECH
 RÖSLER Praha spol. s r.o.
 Výhradní zastoupení
 pro ČR a SR
 Elišky Junkové 1394/8, 102 00
 Praha 10, Česká republika
 Tel.: +420 267 188 011
 Fax.: +420 272 651 046
 E-mail: obchod@rosler.cz
 www.rosler.cz

CADAC ICELAND
 Húsmiðjan ehf
 Holtagarður, Holtavegi 10
 Iceland
 Tel: (354)525-3000
 Fax: (354)525-3254
 Email: davidc@husa.is

CADAC GREECE
 Thessi Mandra Ntouni
 Koropi194 00
 Athens Greece
 Tel: +30 210 602 1019
 Fax: +30 210 662 8888
 Email: y.economou@camper-gaz.gr
 www.camper-gaz.gr

CADAC AUSTRALIA
 CADAC-BBQ Pty Ltd, Australia
 Tel: +61 420 503 967
 Customer Care: 1300 135 011
 Fax: +61 755 728 682
 Email: info@cadacbbq.com.au
 www.cadacbbq.com.au

CADAC Mozambique
 Exclusive Brands Africa
 492 Avenida Namaacha
 Maputo, Mozambique
 Tel: +258 21 406254
 www.cadac.co.mz

CADAC ZAMBIA
 Exclusive Brands Africa Limited
 7225A Kachidza Road
 Light Industrial Area
 Lusaka, Zambia
 Tel: +260 (0)969 515908
 Email: info@ebagrp.com

CADAC NEW ZEALAND
 Riverlea Group (Pty) Ltd
 PO Box 11062, 11 Kells Place,
 Hamilton 3251, New Zealand
 Tel: +64 7 847 0204
 Fax: +64 7 847 0205
 Email: sales@riverleagroup.co.nz
 www.riverleagroup.co.nz

CADAC EUROPE
 Ratio 26, 6921 RW Duiven
 The Netherlands
 Tel: +31 26 319 7740
 Fax: +31 26 319 7743
 Email: info@cadaceurope.nl
 www.cadaceurope.com

CADAC SWITZERLAND
 Dipius SA
 Rte du Bleuét 7
 CH-1762 Givisiez
 Tel. +41 26 470 47 47
 Fax. +41 26 470 47 40
 Email: info@dipius.ch

CADAC SOUTH EAST EUROPE
 Borska 45E
 11 000 Belgrade Serbia
 Tel: +381 11 339 2700
 Email: office@cadac.rs
 www.cadac.rs

CADAC DENMARK
 Intercamp A/S
 Industrivej 11 6640 Lunderskov
 Denmark
 Tel: +45 7558 5255
 Fax: +45 7558 6312
 Email: kn@camper.dk
 www.camper.dk

CADAC ISRAEL
 PO.box 8122819
 Hayarden 13, Yavne, Israel
 Tel: 08-9479977/78
 Fax: 08-9429968
 Email: grill@i-berman.co.il

CADAC KOREA
 Suite 502 Pika Bldg.
 Hogle-Dong, Anyang-Si,
 Gyeonggi-Do, South Korea
 Fax: +82 2 2179 9292
 Tel: +82 31 427 5466
 cadackorea@gmail.com

CADAC ZIMBABWE
 Exclusive Brands Africa
 Unit 8 Birkenhead Park
 43 Josiah Chinamano Street
 Belmont, Bulawayo
 Tel/Fax: +263 971 740
 (Bulawayo)
 Tel/Fax: +263 479 2564
 (Harare)
 www.cadac.co.zw

CADAC HONG KONG
 Everything Under The Sun
 902 Horizon Plaza, 2 Lee Wing
 Street,
 Ap Lei Chau, HK
 Tel :+852 2554 9088
 Fax: +852 2818 8595
 Email:
 craig@everythingunderthesun.
 com.hk

CADAC CHINA
 Room 807, Huayue International
 Building, No.255 Tiangao Road,
 South Yinzhou business district,
 Ningbo, China
 Zip:315199
 Fax:+86 574 87364160
 Tel:+86 574 87723937
 Email: info@cadac.com.cn

CADAC GERMANY
 Ratio 26, 6921 RW Duiven
 The Netherlands
 Tel: +31 26 319 7740
 Fax: +31 26 317 7743
 Email: info@cadaceurope.nl
 www.cadaceurope.com

CADAC ITALY
 Brunner SRL/GMBH
 via Buozzi, 8
 39100 Bolzano (Italy)
 PIVA 00848790218
 Tel: +39 0471 542900
 Fax: +39 0471 542905
 Email: info@brunner.it
 www.brunnerinternational.com

CADAC SWEDEN
 560 27 Tenhult
 Tel: +46 (0) 36-35 37 07
 Mobile: +46 (0) 76-765 97 00
 Email: jonas.tidqvist@kamafritid.se
 www.kamafritid.com

CADAC USA
 50 Mountain View Road
 Warren, NJ, 07059
 Tel: 908 604 0677
 Mobile: 908 463 9828
 Email: cadacusa@yahoo.com

CADAC TURKEY
 And Dayanikli Tuketim Mallari San.
 Ve Tic. Ltd. Sti.
 Gumuspala Mah. E5 Yanyol Cad.
 No:196 34320 Avclar/Istanbul/
 Turkey
 Tel: +90 212 590 38 38
 Fax: +90 212 593 02 45
 Email: ygunaydin@andoutdoor.com
 www.grilliguru.ee

CADAC UNITED ARAB EMIRATES
 Picnico General Trading
 PO Box 1797
 Dubai
 UAE
 Tel. nr: +971 4 267 9992
 Fax: +971 4 267 9940
 Email: showroom@picnico.ae

CADAC UK
 1 Open Barn
 Backridge Farm Business Centre
 Twitter Lane, Bashall Eaves
 Clitheroe, BB7 3LQ
 United Kingdom
 Tel: +44 333 200 0363
 Fax: +44 333 200 0364
 Email: info@cadacuk.com
 www.cadaceurope.com

CADAC SLOVENIA
 Harvey Norman Trading d.o.o.
 Ljubljanska cesta 95
 8000 Novo mesto
 Slovenia
 Tel: +386 7 30 99 926
 Fax: +386 7 30 99 944
 Email: bsavicic@harveynorman.si
 www.harveynorman.si

CADAC ESTONIA
 Alvar Lanson
 Grilliguru OÜ Kadaka tee 7/2
 12915 Tallinn
 Tel: +372 5104855
 www.grilliguru.ee

