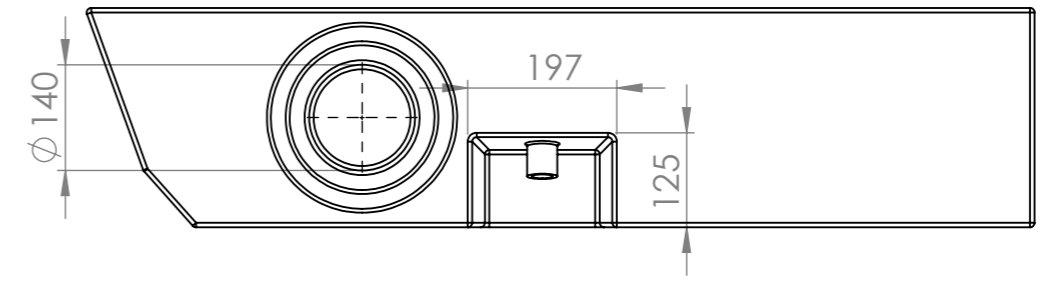
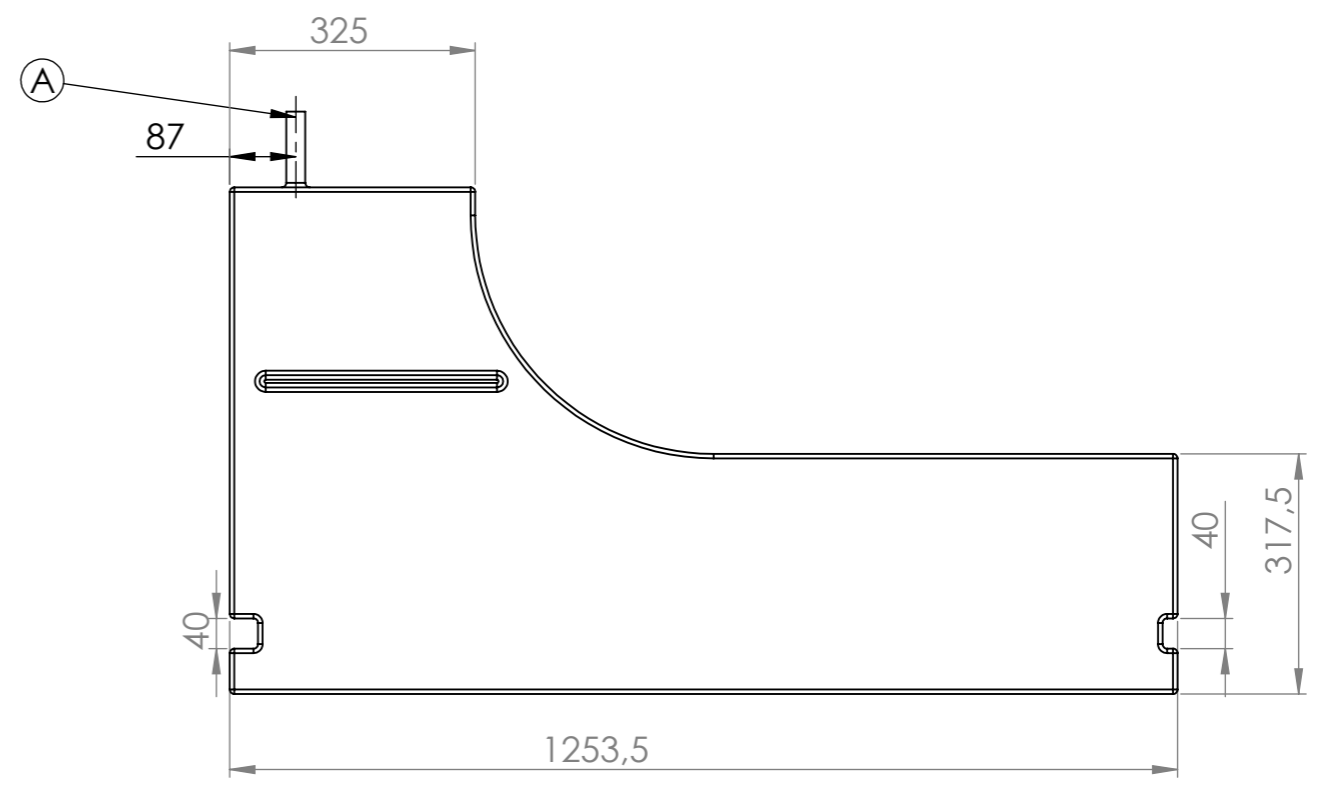
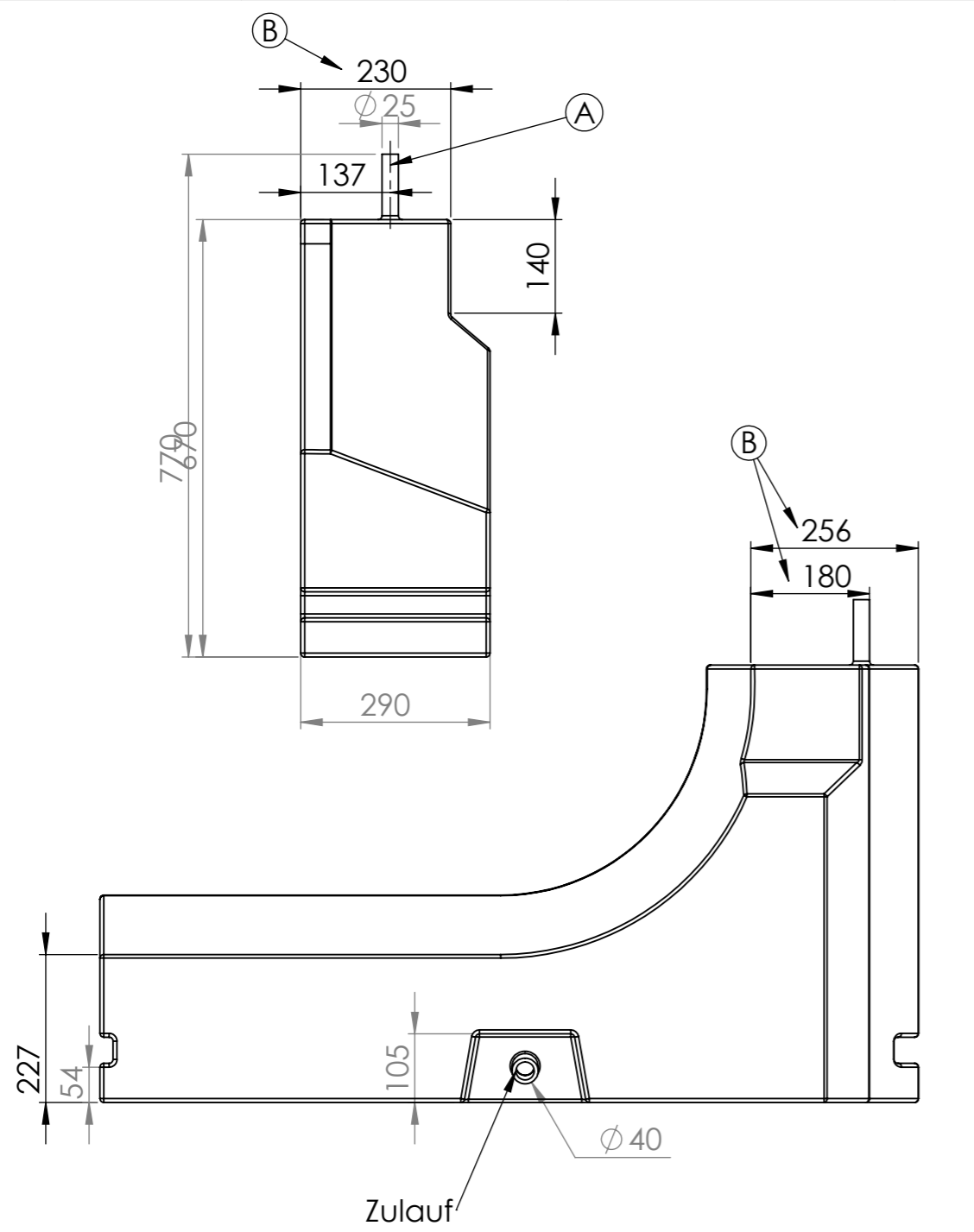
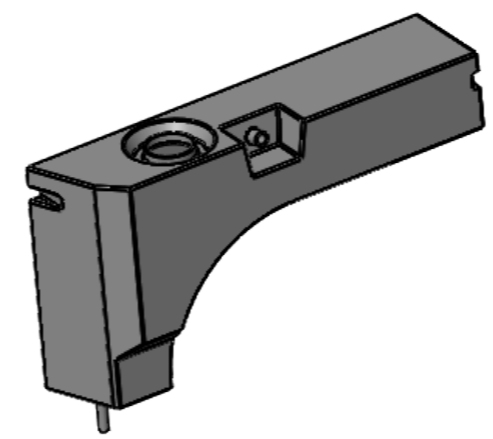


8 7 6 5 4 3 2 1



Volumen 112L



REVISIONS

ZONE	REV.	DESCRIPTION	DATE	APPROVED
F4, F6	A	Pin position change	14. 08. 2019	J. Ž.
E6, F7	B	Additional dimensions	17. 09. 2019	J. Ž.

Risba je last APLAST d.o.o.. Vsaka zloraba te risbe, razmnoževanje, prodaja tretji osebi ali uporaba v drugačne namene kot je bilo dogovorjeno, je prepovedana!
 This drawing is the property of APLAST d.o.o. and must not, without our consent be copied, handed to other persons or otherwise misused!

UNITS: mm	SCALE: 1:10	MATERIAL: PE High Density	VOLUME	MASS:
DATE: 19. 12. 2018	NAME: Jaka Žohar	NAME: 700000600_APLAST POSODA PITNE VODE 112L DUCATO JUMPER BOXER		
19. 12. 2018		IDENT/DRAWING NUMBER: 700000600		
				A3
				Stran 1 od 1

8 7 6 5 4 3 2 1

F
E
D
C
B
A

F
E
D
C
B
A