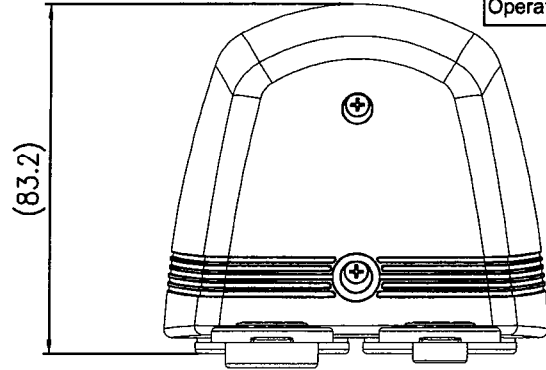


Voltage	A. 12V DC B. 24V DC	Mounting Hole
Output	A:USB A QC3.0 (5V 3A/9V 2A/12V1.5A) USB C PD (5V 3A/9V 3A/12V 3A) B:USB A QC3.0(5V 3A/9V 2A/12V1.5A) USB C PD(5V3A/9V3A/12V3A/15V3A/20V 2.25A) Uses both USB A + C(5V 2.4A+2.4A) Auto Socket-20A Max	
Max Output Power	45W Max	
Approvals	CE(EN50498)/UKCA	
Operating Temperatures	-30°C~45°C	


 Screw in Bulk
 Ø3*16



Remarks:

- 1.Electric Parameter Output Tolerances $\pm 5\%$ Unless Otherwise Specified
- 2.Tolerances ± 0.3 Unless Otherwise Specified
- 3.Housing / Panel: Black
- 4.Osculati pack: double blister / card / label
- 5.E0021

原稿
 2024.6.20
 研發部

